

# 14104

## Closet Carrier

### Vertical Single Close

#### Specification

Josam 14104 series coated cast iron single vertical 4" hub and spigot fitting with 4" hub vent, adjustable carrier body, invertible for siphon jet or blowout closets, with ABS extension with integral test cap, pylon feet, plated hardware and neoprene fixture gasket.

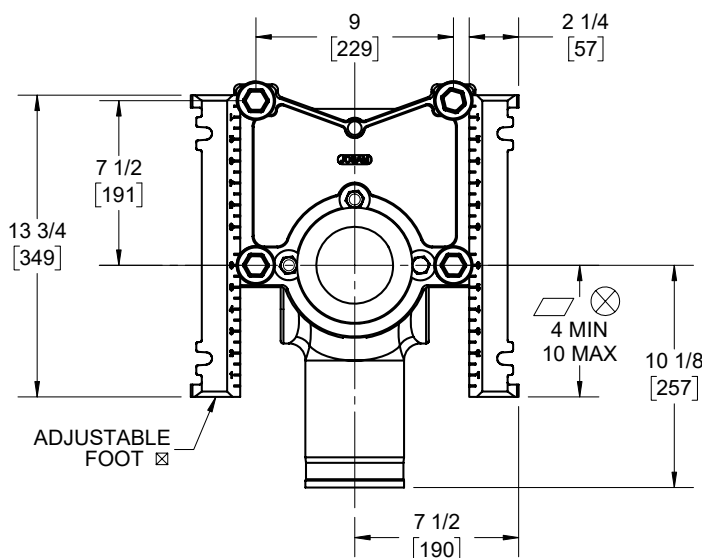
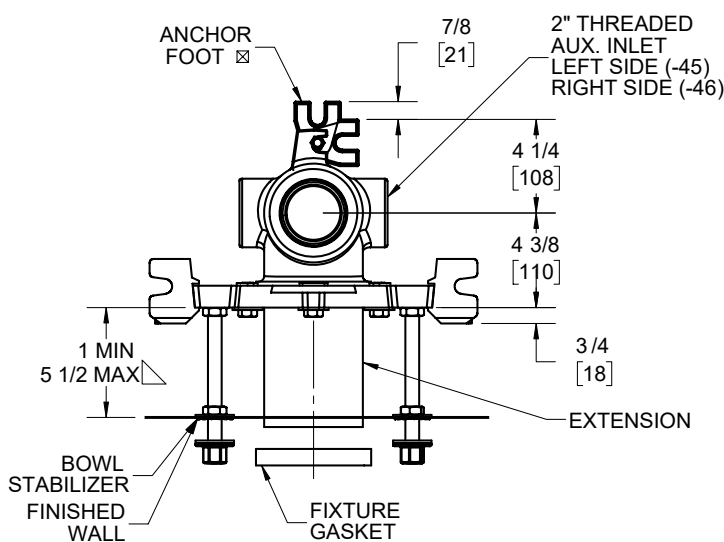
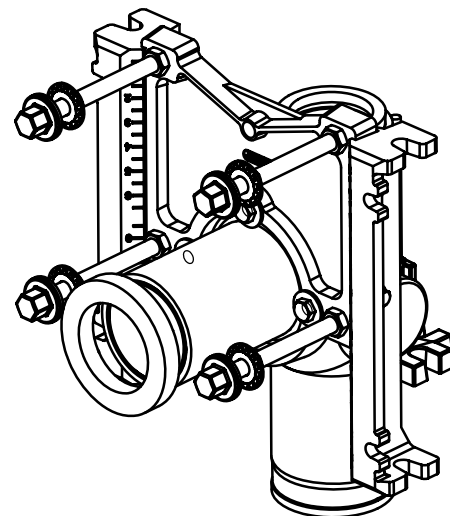
⚡ For dimension shorter than 5-1/2" (1" min) cut extension for longer extension (10-1/2" max) specify (-10).

☒ Recommend feet be secured to floor with 1/2" bolts and anchors (by others).

⊗ For siphon jet roughing over 6" or blowout roughing over 12-1/2" specify on order.

Siphon jet dims shown.  
For blowout dims, use:

⚡ Min 11" and max 16 1/2".



-SD	Special duty 500 LB capacity
-SDH	Special duty high 750 LB capacity
-VP	Vandal-proof trim
-1	Positioning frame
-6	Supply pipe support (specify type of pipe)
-44	Threaded left hand auxiliary inlet
-46	Threaded right hand auxiliary inlet

-21	Hanger type closet adapter
-54	Threaded auxiliary inlet, opposite vent
-30	Cast iron adj. ext. w/ connector
-30-2	Cast iron adj. ext. w/ connector and test cap
-50	No-hub high auxiliary inlet, opposite vent
-54	Threaded high auxiliary inlet, opposite vent
-XSD	Extra special duty 1,000 LB capacity

Josam product specifications in U.S. customary units are approximate and provided for reference only. For precise measurements, please contact Josam Technical Support. Josam reserves the right to change or modify product design, construction, specifications, or materials without prior notice and without incurring any obligation to make such changes and modifications on Josam products previously or subsequently sold.

Notes:



A WATTS Brand