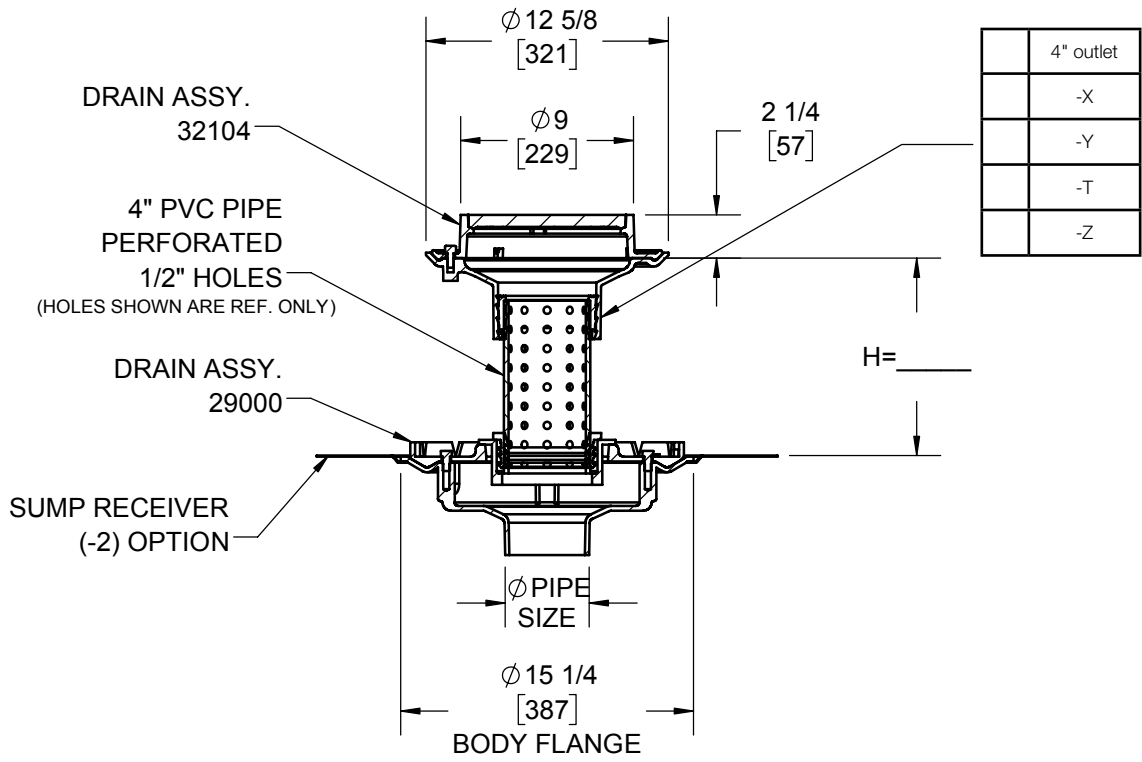
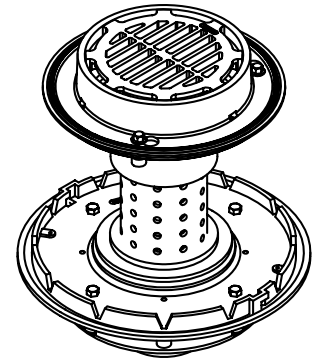
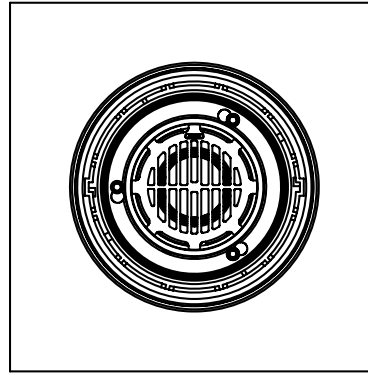


29000-Q602

Roof Drain Planting Area Specification

Josam series 29000-Q602 coated cast iron 32100 upper drain and Wejloc® clamp ring with 29000 lower section. See 29000 and 32100 submittals for all available options.



	4" outlet
	-X
	-Y
	-T
	-Z

	-1	Underdeck clamp
	-2	Drain receiver (24" SQ.)
	-VP	Vandalproof dome
	-X	Caulk outlet
	-Y	Push-on outlet
	-T	Threaded outlet
	-Z	No-hub outlet

	Pipe size
	2"
	3"
	4"
	5"
	6"
	8"

Product is non-cancellable and non-returnable

Name: _____

Signature: _____

Date: _____

Josam product specifications in U.S. customary units are approximate and provided for reference only. For precise measurements, please contact Josam Technical Support. Josam reserves the right to change or modify product design, construction, specifications, or materials without prior notice and without incurring any obligation to make such changes and modifications on Josam products previously or subsequently sold.

Notes:



A WATTS Brand