

29000

Roof Drain

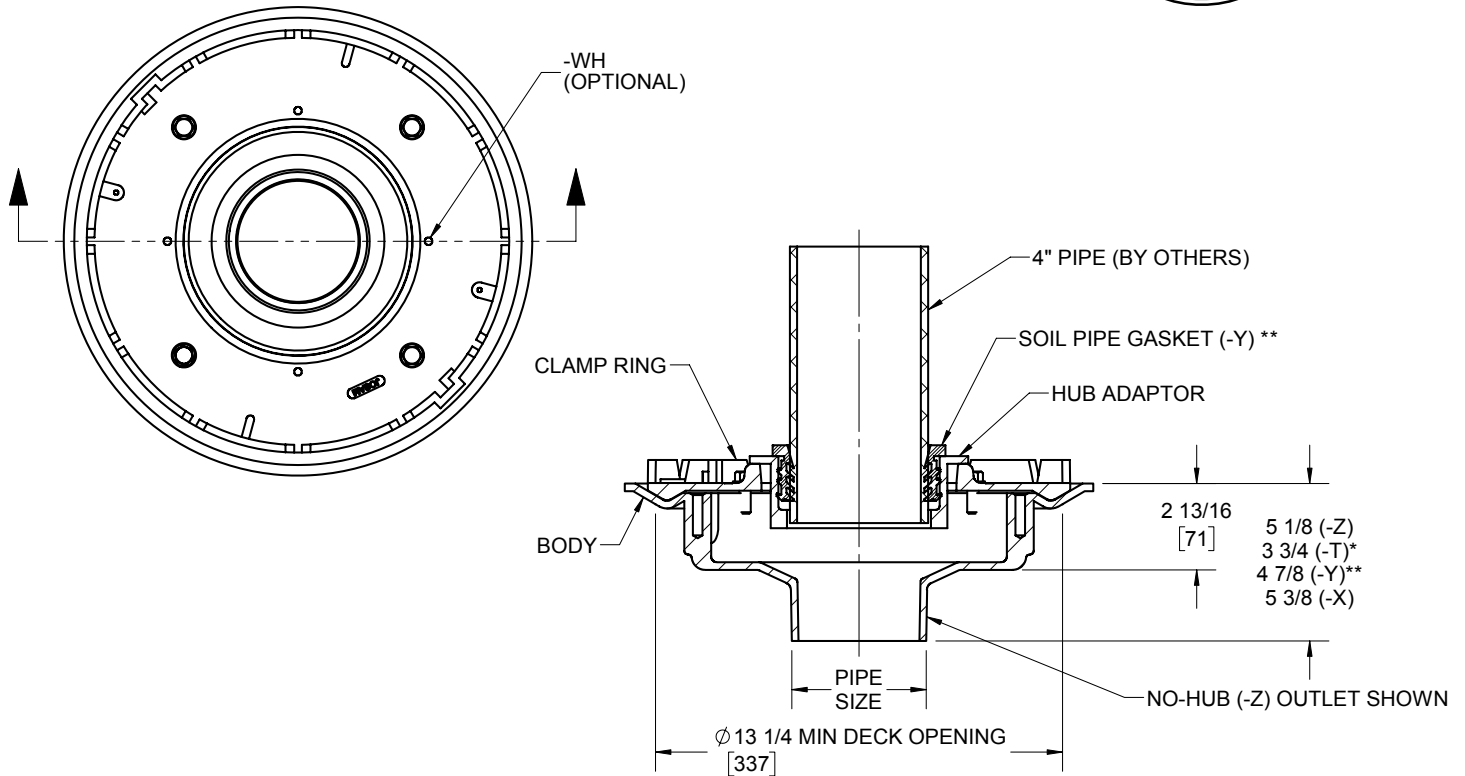
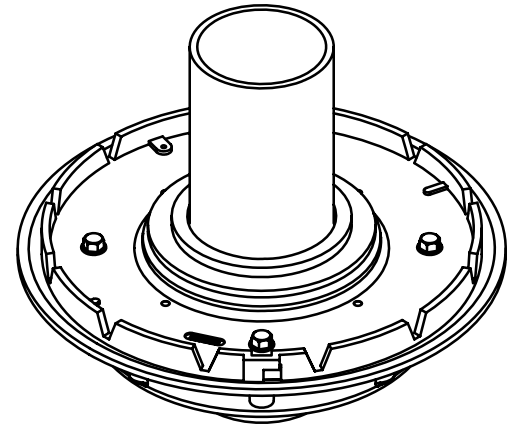
Isolation Deck

Specification

Josam 29000 series coated cast iron isolation deck drain, non-puncturing clamp ring for standpipe and bottom outlet.

*This dimension is 5-3/4" on 8" threaded outlet.

**Gasket conforms with ASTM-C564



-1	Deck clamp assembly
-1C	Drain receiver clips (Min. deck opening \varnothing 16)
-CR	Clamping drain receiver (Min. deck opening \varnothing 16)
-2	Drain receiver
-3	Deck clamp assembly and drain receiver
-3C	Drain receiver and drain receiver clips
-17	2" High solid clamping collar

-20	Galvanized cast iron parts
-66	No-hub side outlet (2" thru 6" outlets only)
-T	Threaded outlet
-X	Inside caulk outlet
-Y	Hub outlet w/gasket (2", 3" & 4" sizes only)
-Z	No-hub spigot outlet
-WH	Weep holes

	Pipe Size
	2"
	3"
	4"
	5"
	6"
	8"

Josam product specifications in U.S. customary units are approximate and provided for reference only. For precise measurements, please contact Josam Technical Support. Josam reserves the right to change or modify product design, construction, specifications, or materials without prior notice and without incurring any obligation to make such changes and modifications on Josam products previously or subsequently sold.

Notes:



A WATTS Brand