

49320A-LF

Sanitary Floor Sink

12" Square Top, 6" Deep

Specification

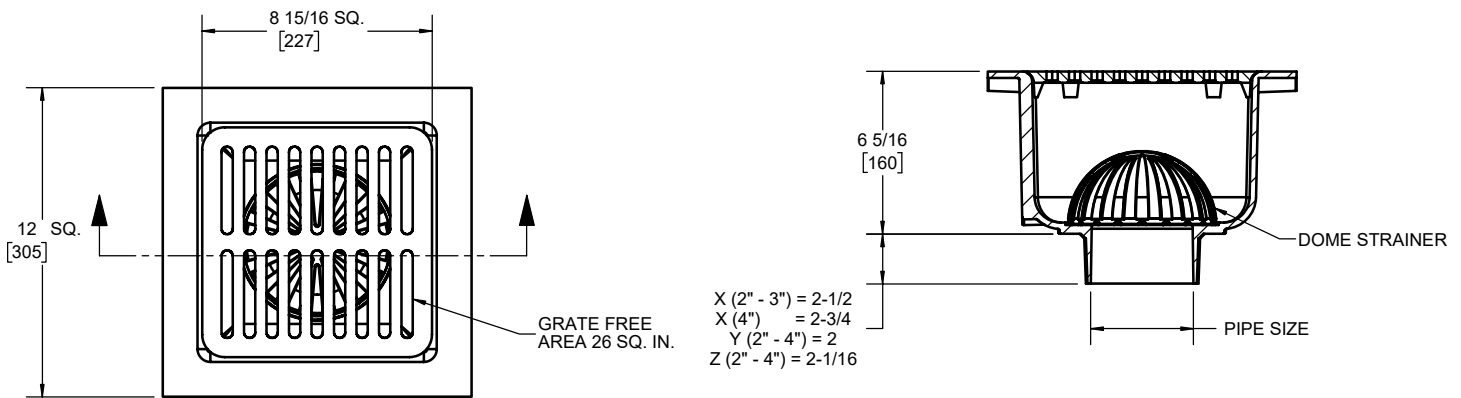
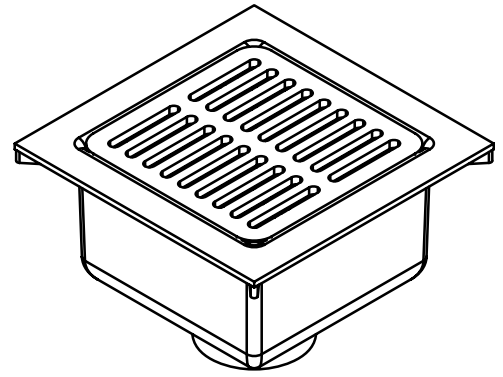
Josam 49320A-LF series square cast iron 5-7/8" deep Super-Flo-Septor® floor sink with acid resisting interior, bottom outlet, aluminum internal dome strainer and cast iron non-traffic, acid resisting, anti-tilting grate.

Formerly 49330A series.

Slot width 3/8".

△ Separate submittal for this option available.

* Must also specify -31 or -33 option.



OPTIONS:

X	-LF	Less flange
	-NB	△ Nickel bronze traffic top
	-LG	Less grate
	-3	Half (1/2) grate
	-4	Three-quarter (3/4) grate
	-5	Nik. extra hvy-duty grate and rim (not Super-Flo®)
	-7	Full grate with 2-1/2" center opening
	-8	Stainless steel depressed grate
	-15	Stainless steel rim and grate
	-16	Grate with 4" round funnel
	-17	Grate with 6" round funnel

	-18	Grate with 9" x 3-1/2" oval funnel
	-31	Sediment bucket, aluminum
	-33	Sediment bucket, acid resistant finish
	-35	* Bucket liner (stainless steel mesh)
	-43	Internal dome strainer, acid resistant finish
	-45	Less internal dome strainer
	-52	Paint inside and outside
	-55	1/2" primer tap (6") adapter, 88450 provided (2"-4")
	-X	Inside caulk outlet
	-Y	Hub outlet with gasket (2"-4")
	-Z	No-hub outlet (2"-4")

	Pipe size
	2"
	3"
	4"
	6"

Josam product specifications in U.S. customary units are approximate and provided for reference only. For precise measurements, please contact Josam Technical Support. Josam reserves the right to change or modify product design, construction, specifications, or materials without prior notice and without incurring any obligation to make such changes and modifications on Josam products previously or subsequently sold.

Notes:



A WATTS Brand