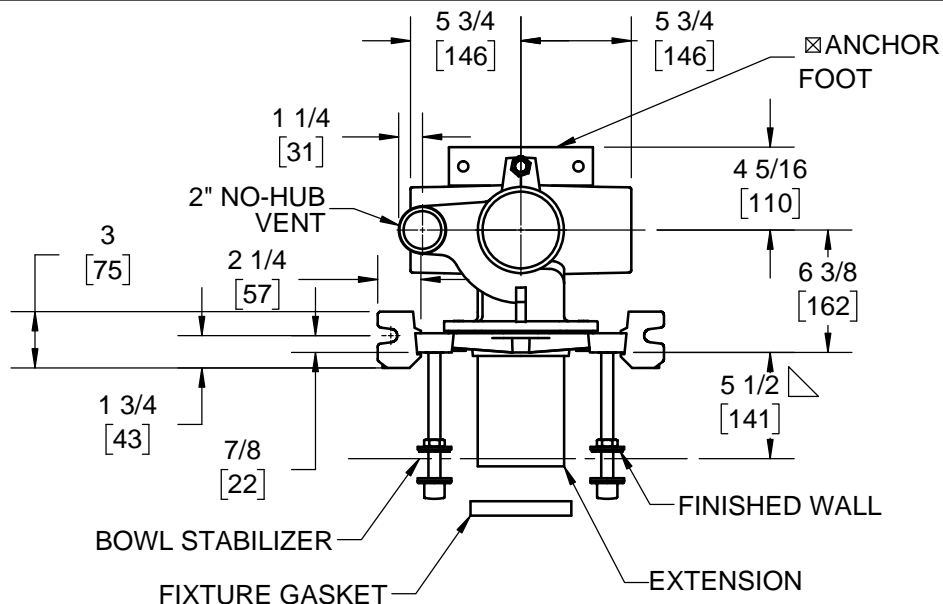


**SPECIFICATION:**

JOSAM 12704-SD SERIES COATED CAST IRON SINGLE VERTICAL 4" NO-HUB FITTING WITH 2" NO-HUB LEFT-HAND OFFSET VENT, ADJUSTABLE CARRIER BODY, INVERTIBLE FOR SIPHON JET OR BLOWOUT CLOSETS, WITH ABS EXTENSION WITH INTEGRAL TEST CAP, PYLON FEET, ANCHOR FOOT, PLATED HARDWARE AND NEOPRENE FIXTURE GASKET

**CLOSET CARRIER  
VERTICAL WITH LEFT  
HAND VENT**

SERIES **12704-SD**



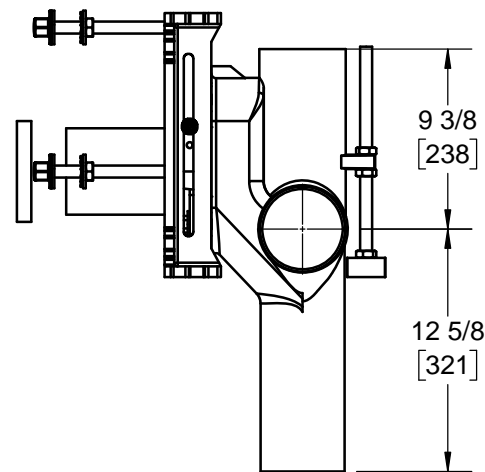
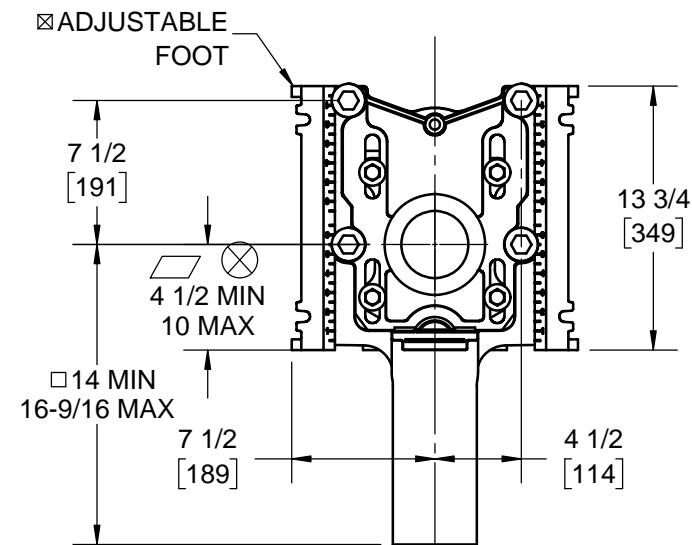
△ FOR DIMENSION SHORTER THAN 5-1/2" (1" MIN) CUT EXTENSION. FOR LONGER EXTENSION (10-1/2" MAX) SPECIFY (-10)

☒ RECOMMEND FEET BE SECURED TO FLOOR WITH 1/2" BOLTS AND ANCHORS (BY OTHERS).

⊗ FOR SIPHON JET ROUGHING OVER 6" OR BLOWOUT ROUGHING OVER 12-1/2" SPECIFY ON ORDER.

SIPHON JET DIMS SHOWN. FOR BLOWOUT DIMS, USE:

△ MIN 11" & MAX 16-1/2"  
□ MIN 15-11/16" & MAX 18-1/4"



|       |                                     |
|-------|-------------------------------------|
| -XSD  | EXTRA SPECIAL-DUTY 1,000 LB CARRIER |
| -PF   | PYLON FOOT, STD.                    |
| -OR   | O-RING CARRIER                      |
| X -SD | SPECIAL-DUTY 500 LB. CARRIER        |
| -HS   | HUB & SPIGOT                        |
| -LH4  | LEFT-HAND 4" NO-HUB BRANCH          |
| -HLH4 | LEFT-HAND 4" HUB BRANCH             |
| -RH4  | RIGHT-HAND 4" NO-HUB BRANCH         |
| -HRH4 | RIGHT-HAND 4" HUB BRANCH            |
| -D4   | DOUBLE 4" NO-HUB BRANCHES           |
| -HD4  | DOUBLE 4" HUB BRANCHES              |
| -VP   | VANDAL-PROOF TRIM                   |

|       |  |
|-------|--|
| -1    | POSITIONING FRAME                                |
| -6    | SUPPLY PIPE SUPPORT (SPECIFY TYPE OF PIPE)       |
| -10   | ABS EXTENSION THROUGH 10-1/2" WALL               |
| -24   | FLOOR MOUNTED BACK OUTLET CHINA BOWL             |
| -30   | CAST IRON ADJ. EXTENSION W/ CONNECTOR            |
| -30-2 | CAST IRON ADJ. EXTENSION W/ CONNECTOR & TEST CAP |
| -32   | CARRIER FOR WIDE CHASE INSTALLATIONS             |
| -35   | CARRIER FOR WHEELCHAIR HIGH ROUGH                |
| -49   | NO-HUB AUXILIARY INLET, UNDER VENT               |
| -50   | NO-HUB AUXILIARY INLET, OPPOSITE VENT            |
| -53   | THREADED AUXILIARY INLET, UNDER VENT             |
| -54   | THREADED AUXILIARY INLET, OPPOSITE VENT          |

DATE OF LAST CHANGE: 5/30/18

DIMENSIONS ARE SUBJECT TO MANUFACTURERS TOLERANCES AND CHANGE WITHOUT NOTICE. WE CAN ASSUME NO RESPONSIBILITY FOR USE OF SUPERSEDED OR VOID DATA.

**JOSAM**  
MICHIGAN CITY, INDIANA

NOTES

WARNING: Cancer and Reproductive Harm - www.P65Warnings.ca.gov