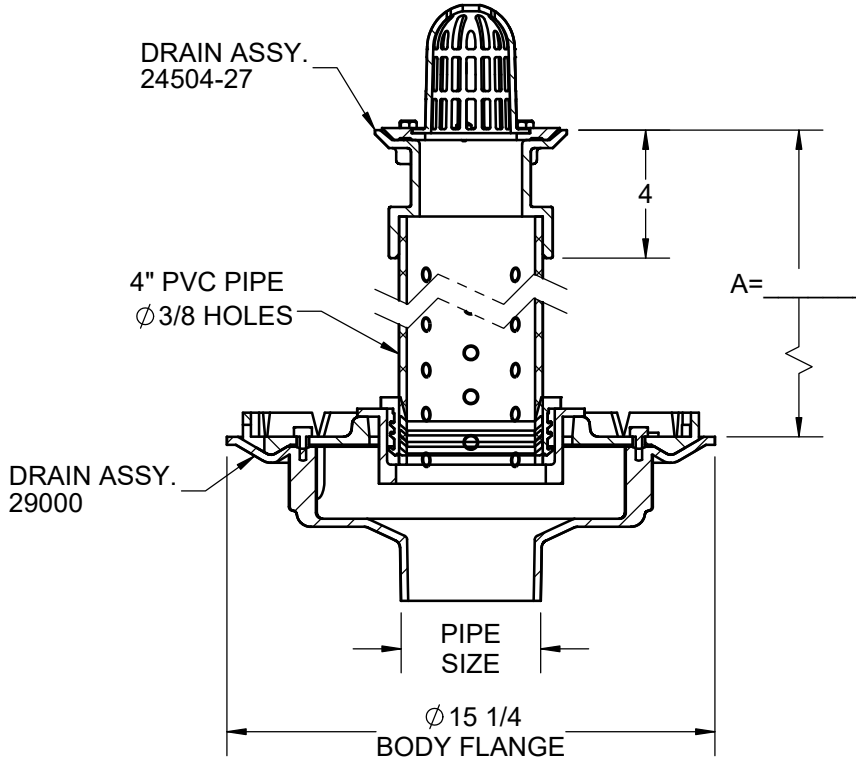
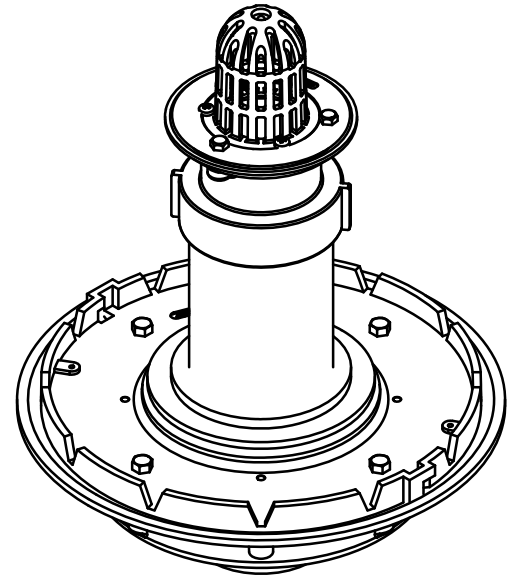
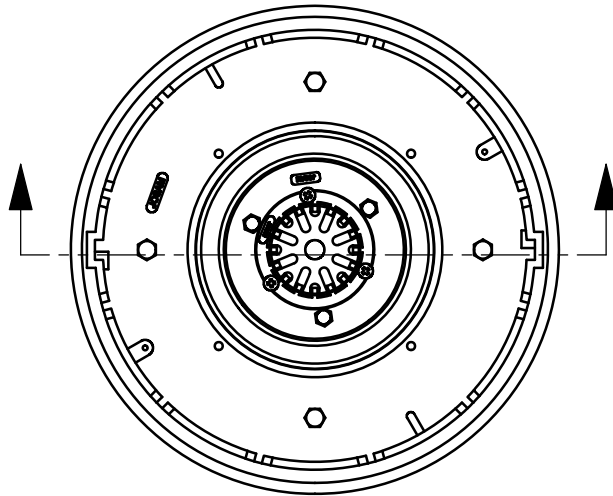


SPECIFICATION:

JOSAM SERIES 21500-Q606 COATED CAST IRON LOWER DRAIN AND WEJLOC CLAMP RING. COATED CAST IRON THREADED OUTLET UPPER BODY WITH BRONZE CLAMP RING AND DOME.

**ROOF DRAIN
PLANTING AREA**

SERIES **21500-Q606**



-1	UNDERDECK CLAMP
-2	DRAIN RECEIVER (24" SQ.)
-VP	VANDALPROOF DOME
-X	CAULK OUTLET
-Y	PUSH-ON OUTLET
-T	THREADED OUTLET
-Z	NO-HUB OUTLET

PIPE SIZE
2"
3"
4"
5"
6"
8"

WARNING: Cancer and Reproductive Harm - www.P65Warnings.ca.gov

DATE OF LAST CHANGE: 10/31/19

DIMENSIONS ARE SUBJECT TO MANUFACTURERS TOLERANCES AND CHANGE WITHOUT NOTICE. WE CAN ASSUME NO RESPONSIBILITY FOR USE OF SUPERSEDED OR VOID DATA.

JOSAM
MICHIGAN CITY, INDIANA

NOTES